

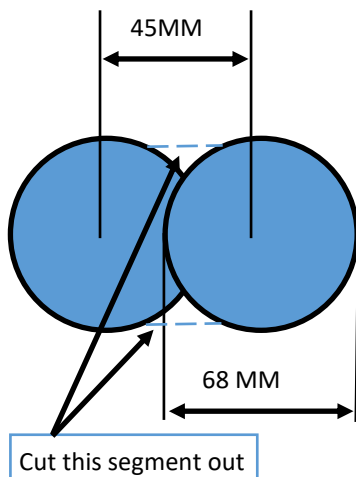
TEM TECHNICAL BULLETIN #1: TEM Wall Box Installation.

TEM Wall Boxes for Insulated Hollow Walls are easily installed.

Tools Required:

1 * 68MM Hole Saw.

Available as a Down Light Installation Kit at Bunnings.



For a HM30 Wall Box ,use the Template on the Box or measure the Centres (45mm).

Use a Level to draw the horizontal , then mark 2 points 45mm apart or use the template on the Box.

1. Use 68mm Hole Saw to cut out the Box outline.
2. Use a Cutting Blade or small hand saw to cut out the small segment between the centres.
3. Push fit the HM30 Box into cut out, then tighten the securing screws.

